



27 MHz RF Wireless Rechargeable Optical Mouse

Thank you for purchasing your Wireless Rechargeable Optical Mouse from RadioShack. Your new mouse operates with digital radio technology. You can use the mouse on any computer equipped with a USB interface. Your mouse uses radio frequencies to send data to the tranceiver, which forwards the data to your computer. It can operate on one of two channels, CH1 and CH2.

what's included

Charging Base (Tranceiver)

27 MHz RF Wireless Rechargeable Optical Mouse

AC Adapter



Two RadioShack NiMH Rechargeable Batteries
User's Guide
PS/2 Connector
Install CD

installing batteries

Your mouse comes with two AAA rechargeable batteries. Additional batteries are available at RadioShack or online at www.radioshack.com.



1. Remove the battery compartment cover on the bottom of the mouse. Replace when finished.
2. Insert batteries as indicated by the polarity symbols (+ and -) marked inside the battery compartment.

battery notes

- It takes about 12-16 hours to fully charge the batteries for the first time and about 2 hours thereafter.
- Dispose of old batteries promptly and properly.
- Do not burn or bury batteries.
- Use only fresh batteries of the required size and recommended type.
- Do not mix batteries of different sizes or chemistries.
- If you do not plan to use your mouse for a week or more, remove the batteries. Batteries can leak chemicals that can damage electronic parts.

setting up your optical mouse

connect the tranceiver

Connect the tranceiver's cable to the USB port on your computer, or use the PS/2 connector to connect it to your PS/2 port.

NOTE

The tranceiver has two lights "CHARG" and "RX," indicating the state of charging and connection.

install the mouse driver

Your mouse works with Microsoft Windows 98/2000/ME/XP/NT.

1. Exit all open Windows applications.
2. Insert the supplied Install CD into your CD-ROM driver.
3. If you do not have auto-run set on your computer, go to My Computer, double-click on your CD-ROM drive, and select the setup file.
4. Follow the on-screen instructions to complete the installation.

NOTE

Uninstall your old mouse driver before you install the software for your new mouse.

If you change your mouse connection (i.e.: from USB to PS/2 or vice versa), you may have to reinstall the driver and reset the mouse's button functions.

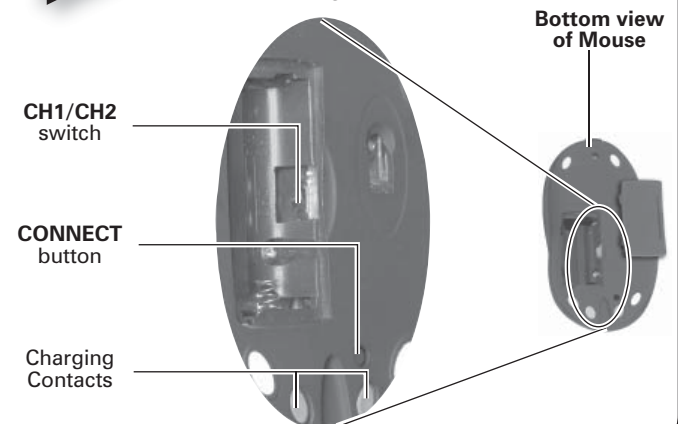
set the channel

You can choose one of two channels, **CH1** and **CH2**. Remove interference by changing the channel.

1. Remove the battery compartment cover on the mouse. Slide the **CH1/CH2** switch inside the compartment to the desired setting. Replace the cover.
2. Press the **CONNECT** button on the tranceiver.
3. Press the **CONNECT** button on the bottom of the mouse.

NOTE

If you notice any interference, due to the presence of another wireless optical mouse, change the channel.



recharging the batteries

1. Connect one end of the supplied DC adapter to the traneiver's DC port (on the back of the traneiver) and the other end to a standard AC outlet.
2. Put your mouse on the charging stand.
3. Observe the LED indicator on your mouse. While charging, it should light up red. When charging completes, it will turn green.

NOTE

When your mouse's battery power gets low, its red LED will flash, indicating that it is time to recharge the batteries.

caution

You must use a Class 2 power source that supplies 7.5V DC and delivers at least 300mA. Its center tip must be set to positive and its plug must fit the traneiver's DC 7.5V jack. The supplied adapter meets these specifications. Using an adapter that does not meet these specifications could damage the traneiver or the adapter.



care and use

- For optimal performance, place the traneiver at least eight inches away from other electronic devices, such as the computer monitor or external storage drives.
- If your tabletop is red or mirrored, this may interfere with the optical sensor of the mouse. In this case, use an ordinary mouse pad or move to a different area.
- If you are having trouble operating your mouse, you may be too far away from the base.
- Keep your mouse dry; if it gets wet, wipe it dry immediately. Use and store your mouse in room temperature environments only. Handle your mouse carefully; do not drop it. Keep your mouse away from dust and dirt, and wipe it with a damp cloth occasionally to keep it looking new.
- If your mouse is not performing as it should, take it to your local RadioShack store for assistance. To locate your nearest RadioShack, use the store locator feature on RadioShack's website (www.radioshack.com), or call 1-800-The Shack (843-7422) and follow the menu options. Modifying or tampering with the mouse's internal components can cause a malfunction and might invalidate its warranty and void your FCC authorization to operate it.

product specifications

Resolution 800dpi
 USB 1.1 version (1.5 M bits/dps)
 FSK/RF Transmission (mouse) 27.095MHz and 27.145MHz
 Mouse Dimensions 130.5mm x 71.7mm x 43.5mm
 Charging Base 83mm x 83mm x 87mm
Specifications are subject to change and improvement without notice. Individual units may vary.

the FCC wants you to know

This equipment has been tested and found to comply with the limits for a Class B digital device, pursuant to Part 15 of the FCC Rules. These limits are designed to provide reasonable protection against harmful interference in a residential installation. This equipment generates, uses, and can radiate radio frequency energy and, if not installed and used in accordance with the instructions, may cause harmful interference to radio communications. However, there is no guarantee that interference will not occur in a particular installation. If this equipment does cause harmful interference to radio or television reception, which can be determined by turning the equipment off and on, the user is encouraged to try to correct the interference by one or more of the following measures:

- Reorient or relocate the receiving antenna.
- Increase the separation between the equipment and traneiver.
- Connect the equipment into an outlet on a circuit different from that to which the traneiver is connected.

Consult your local RadioShack store or an experienced radio/TV technician for help. If you cannot eliminate the interference, the FCC requires that you stop using your phone. Changes or modifications not expressly approved by RadioShack may cause interference and void the user's authority to operate the equipment.

Product	27MHz RF Wireless Optical Rechargeable Mouse
Model	26-765
Responsible Party	RadioShack 100 Throckmorton Fort Worth, TX 76102
Phone	817-415-3200

This device complies with Part 15 of the FCC Rules. Operation is subject to the following two conditions: (1) This device may not cause harmful interference, and (2) This device must accept any interference received, including interference that may cause undesired operation.

limited ninety-day warranty

This product is warranted by RadioShack against manufacturing defects in material and workmanship under normal use for ninety (90) days from the date of purchase from RadioShack company-owned stores and authorized RadioShack franchisees and dealers. For complete warranty details and exclusions, check with your local RadioShack store.

RadioShack Customer Relations
200 Taylor Street, 6th Floor, Fort Worth, TX 76102

04/04

recycle rechargeable batteries

The EPA certified RBRC® Battery Recycling Seal on the nickel-cadmium (Ni-Cd) battery indicates RadioShack is voluntarily participating in an industry program to collect and recycle these batteries at the end of their useful life, when taken out of service in the United States or Canada. The RBRC program provides a convenient alternative to placing used Ni-Cd batteries into the trash or the municipal waste stream, which may be illegal in your area. Please call 1-800-THE-SHACK (1-800-843-7422) for information on Ni-Cd battery recycling and disposal bans/restrictions in your area. RadioShack's involvement in this program is part of the company's commitment to preserving our environment and conserving our natural resources.



Note: Actual product may vary from the images found in this document. Images not to scale.

